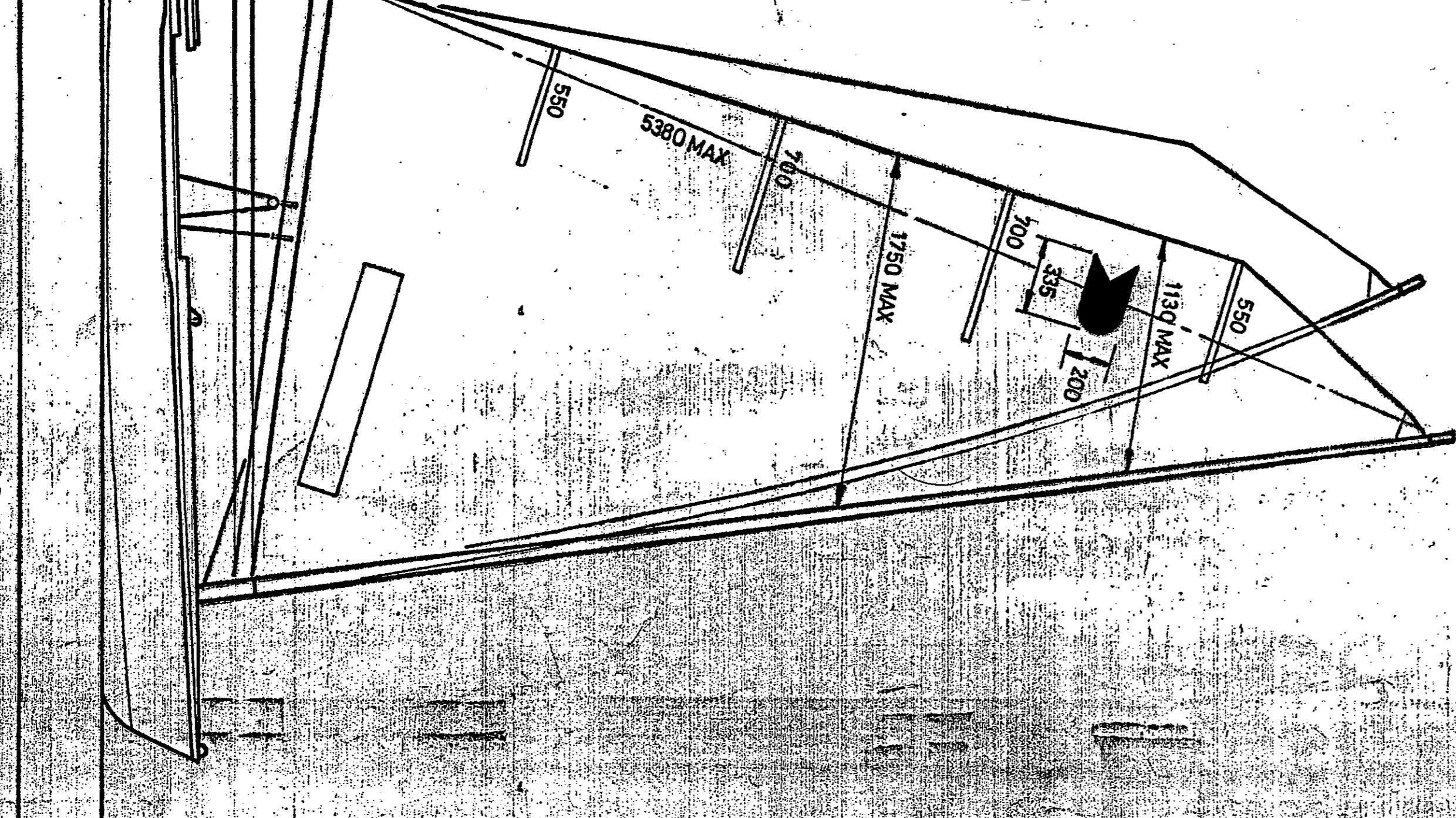
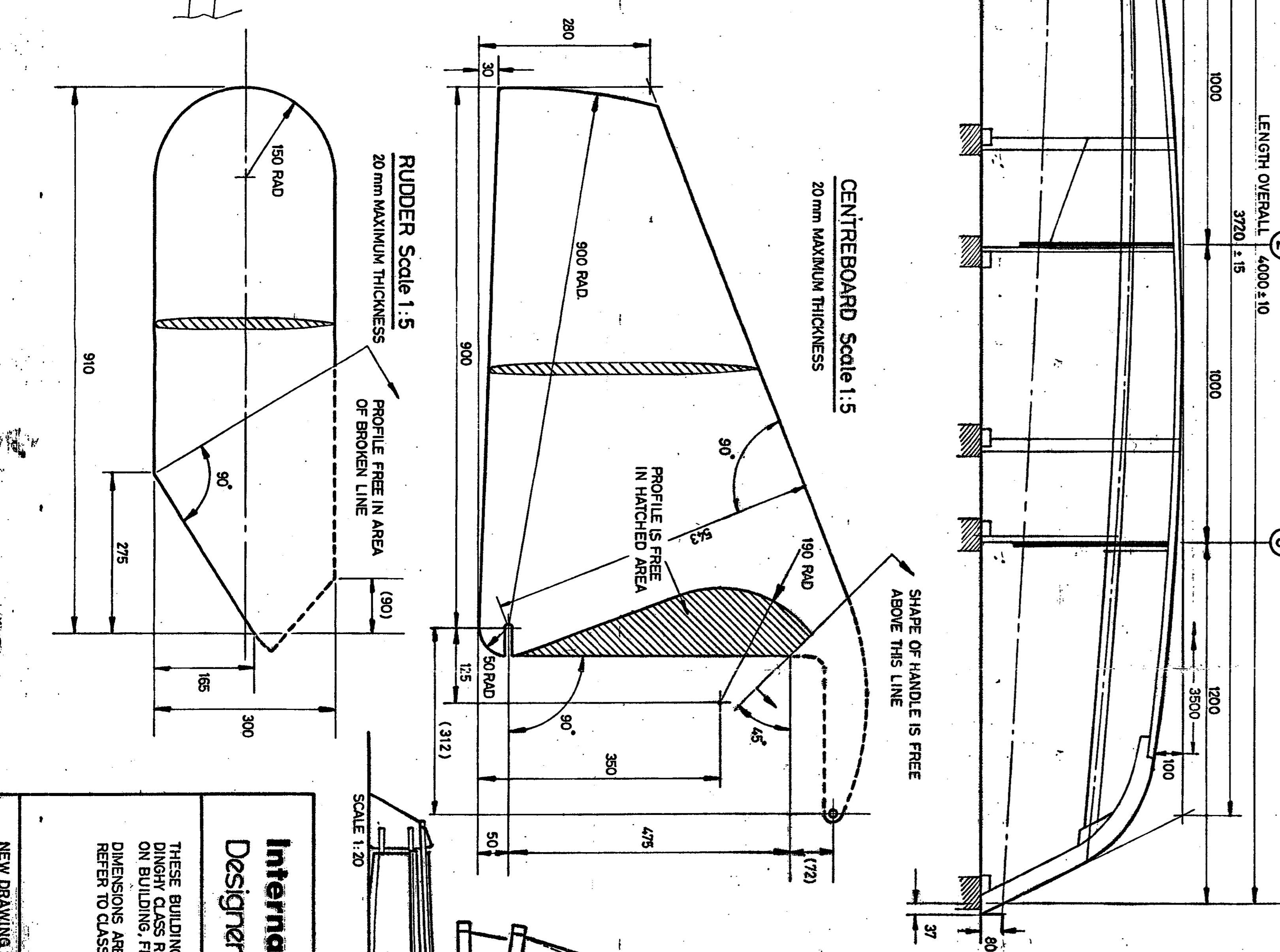
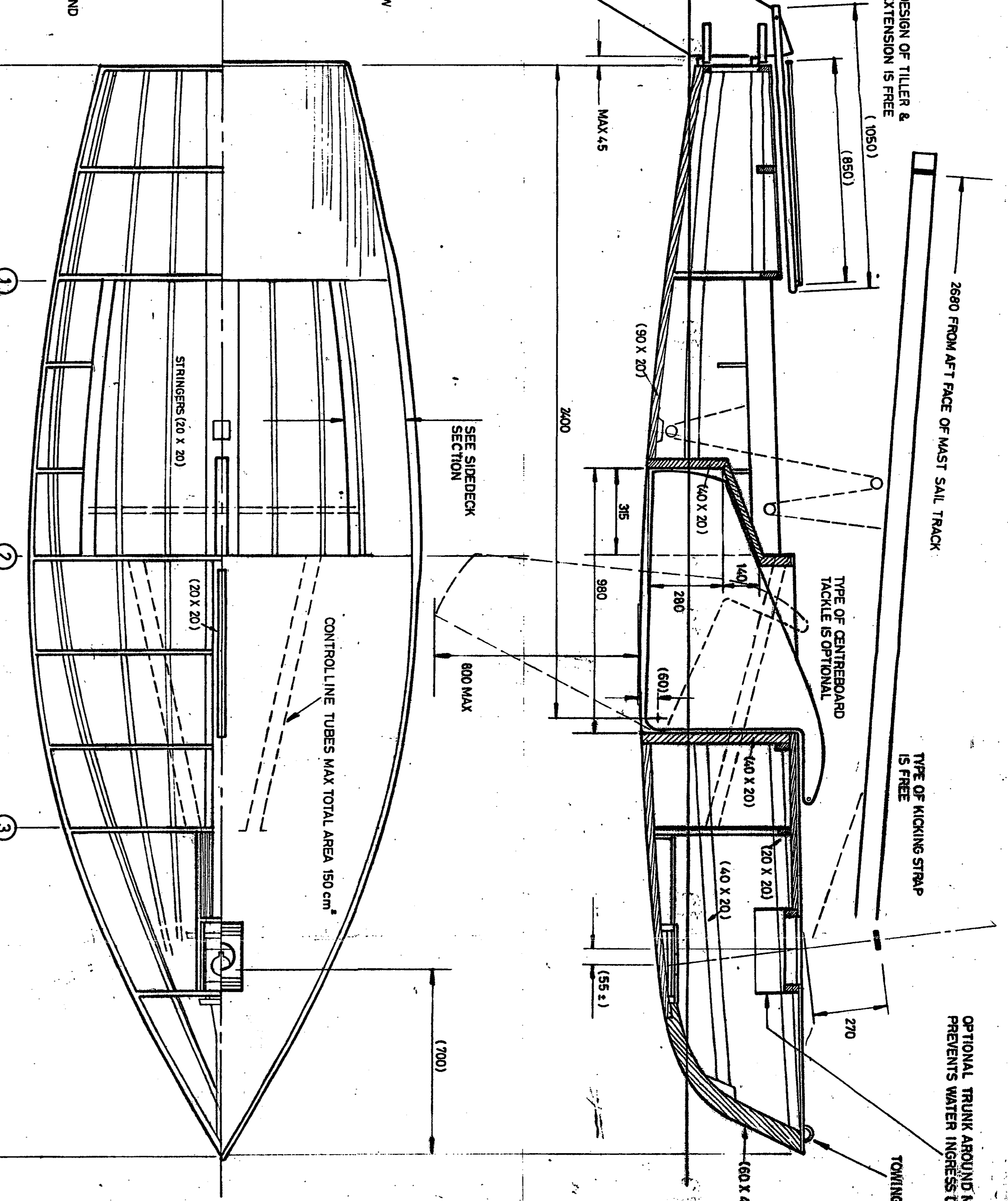
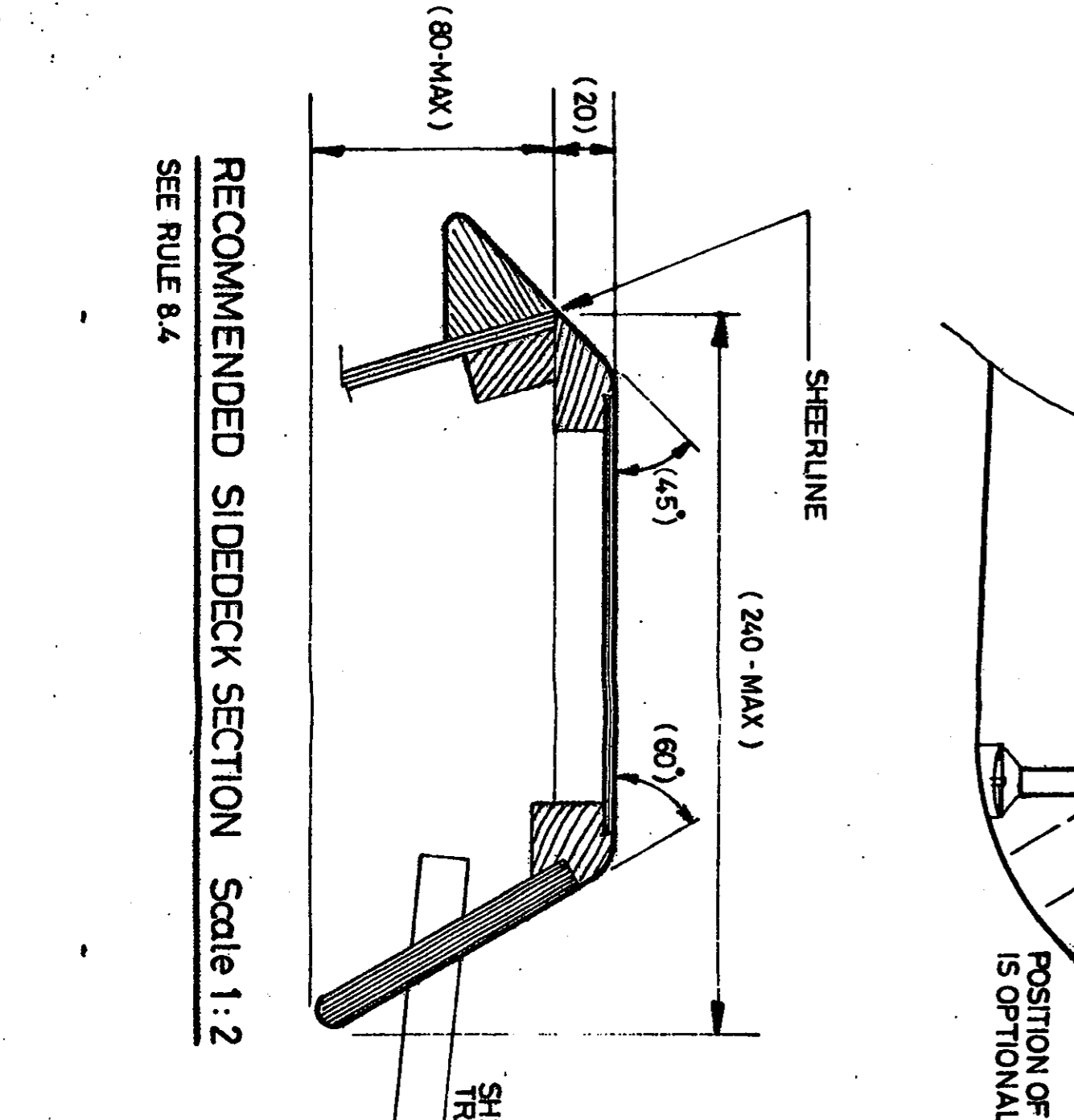
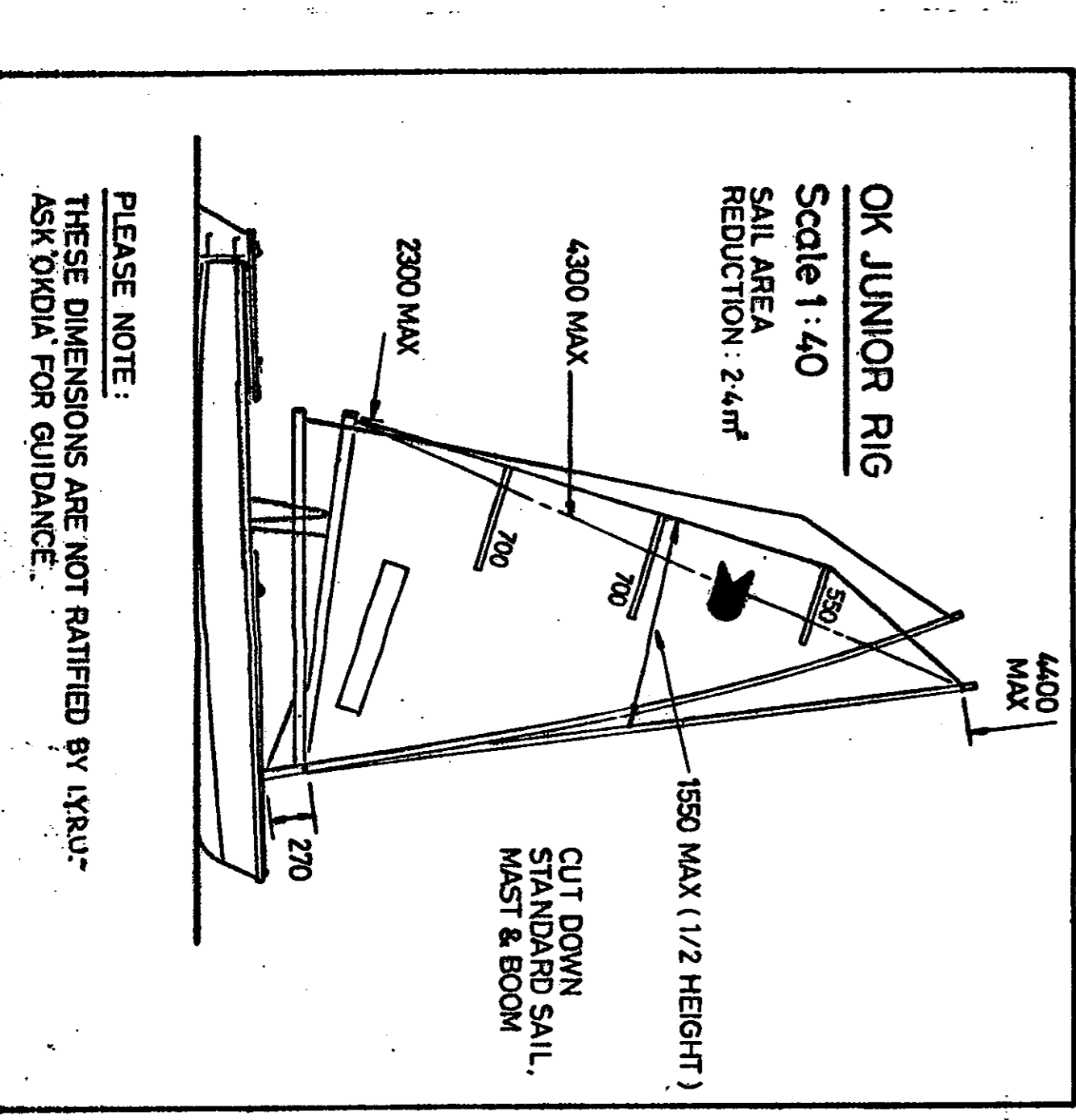


MAST & BOOM
 THE OK DINGHY WAS ORIGINALLY DESIGNED WITH WOODEN SPARS IN SPOON OR SEMI-LAR SHAPE THE BASIC DIMENSIONS ARE SHOWN ABOVE, AND FLEXIBILITY CAN BE TUNED BY PLAINING DOWN THE SECTION.
 ALUMINIUM ALLOY SPARS ARE AVAILABLE FROM A NUMBER OF SOURCES - ASK YOUR NATIONAL OR ASSOCIATION OF DINGHY FOR INFORMATION.
 PINN-DINGHY SPARS CUT DOWN TO THE REQUIRED DIMENSIONS CAN BE SUITABLE.



THESE BUILDING PLANS SHOULD BE USED IN CONJUNCTION WITH THE INTERNATIONAL OK DINGHY CLASS RULES & MEASUREMENT BOOK FOR TECHNICAL ASSISTANCE IN ANY OF THE BUILDING, FITTING OUT, TUNING & SAILING THE OK ARE ALSO AVAILABLE. REFER TO CLASS RULES & MEASUREMENT BOOK FOR BUILDING DIMENSIONS. (1)
 NEW DRAWING 1986 © DNVA/INPL & KNUT OLSEN 1957 SHEET 1 OF 2